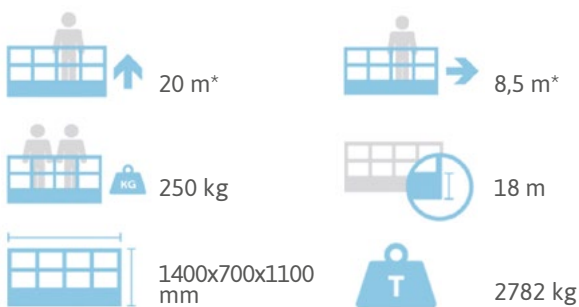


SPECIFICATION (PRELIMINARY)

TRACCESS 200

TECHNICAL DATA

- Articulated boom (two elements)
+ telescopic boom (main boom + 1 extension) + jib
- Sigma boom moved by connecting rods
- 320° turret rotation
- Proportional electrohydraulic controls in basket
- Engine start and stop controls from basket
- All aluminium basket 1400x700x1100mm
- 90° right + 90° left hydraulic basket rotation
- Hydraulic basket levelling
- Dual drive speed
- Extendible track width
- 12V electric system
- 36 lt hydraulic oil tank
- Load cell
- N° 4 hydraulic outriggers
with ground pressure sensors
- Hour meter
- 230 V AC EC electrical socket in the basket
- Standard boom colours
blue (RAL 5017) or white (RAL 9003)
- Max gradeability 25%
- Max drive speed 1,5 Km /h
- 230 V 1,5 Kw auxiliary engine
- **Available with the following engines:**
Honda 15 Hp petrol engine
Kubota diesel engine



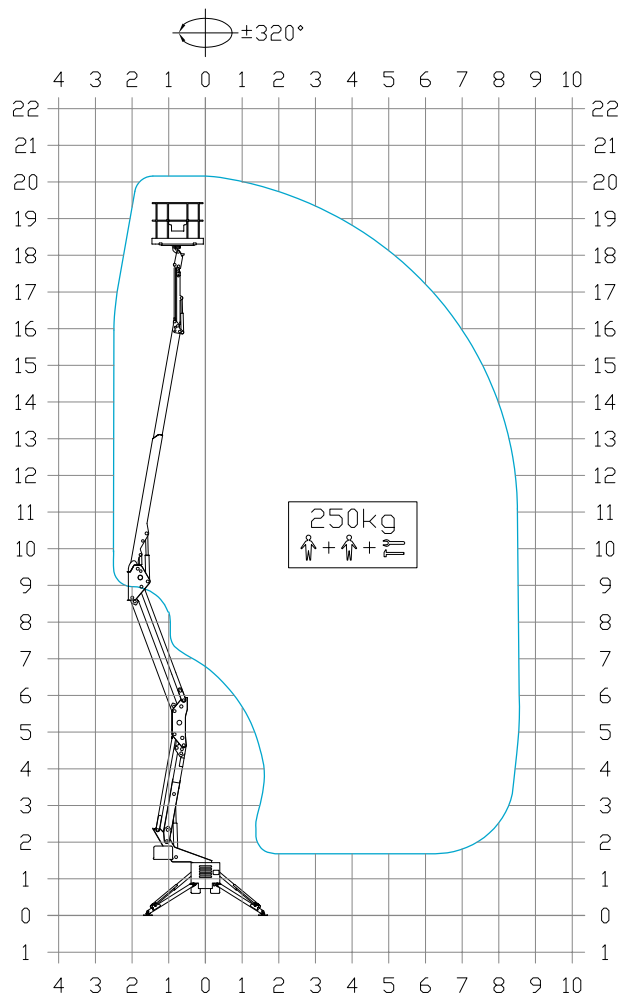
* outreach and height max values and repeatability can change within $\pm 3\%$ due to manufacturing variation and working condition.



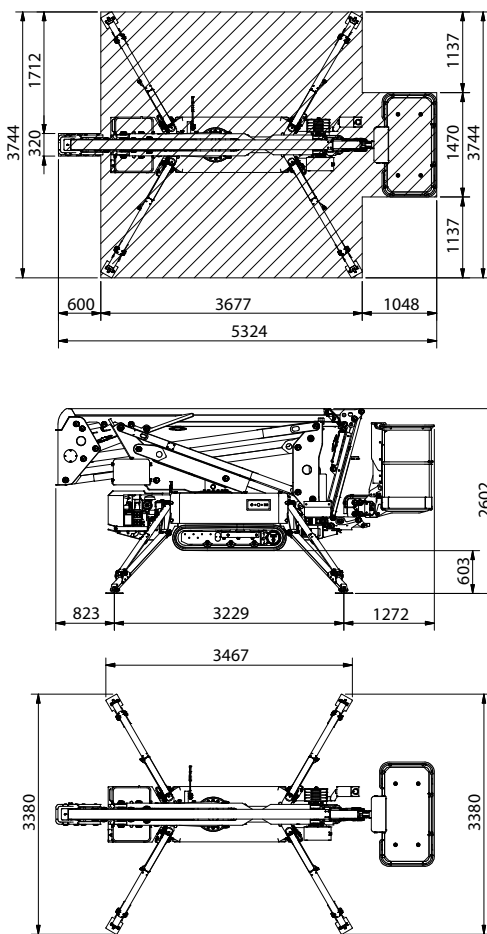
SPECIFICATION (PRELIMINARY)

TRACCESS 200

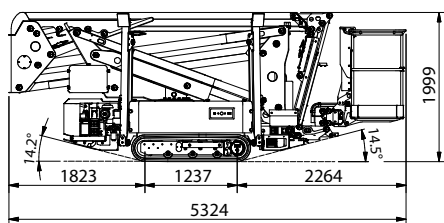
WORKING ENVELOPE



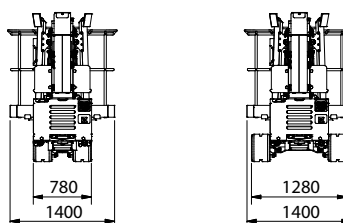
OUTRIGGER FOOTPRINT



DIMENSIONS



EXTENDED TRACK



Product specifications are subject to change without notice or obligation. Technical features and drawings in this brochure are for illustrative purposes only. TRACCESS 200 - ed. 06/19



CTE S.p.A.

Headquarter 7 Via Caproni - Rovereto (TN) IT, 38068

Ph. +39 0464 48.50.50 - Fax +39 0464 48.50.99

info@ctelift.com - www.ctelift.com

Factory 5 Loc. Terramatta - Rivoli Veronese (VR) IT, 37010

CTE UK Ltd Enderby Leicestershire - UK

